



Diamond[®]

EDGE™ SERIES

2020 INTRODUCTIONS



FOXHALL GREEN

As consumer preferences turn to neutrals grounded in nature, the mellow, grayed-out depth of Foxhall Green presents a welcome addition to the Edge™ paint palette. Available on Maple, MDF and Quartersawn Oak.





SERIOUS GRAY

The love affair with neutrals continues with Serious Gray, a deeper, more complex paint that provides a beautiful complement to our new gray-based stains. Available on Maple, MDF and Quartersawn Oak.





Sherwin-Williams custom color program

SHERWIN-WILLIAMS®

COLOR LAUNCH

As designers ourselves, we understand not all projects fall neatly into a palette of 30 paints, which is why we've opened the door to more than 2,000 options with the introduction of the Sherwin-Williams paint palette! New to Diamond Edge, this broad palette makes it possible to offer paints in the popular colors your customers have been seeing in design. Available on Maple, MDF and Quartersawn Oak.

PAINTS ON QUARTERSAWN OAK

Details make all the difference. Take your design to the next level by using Quartersawn Oak as the textured canvas to showcase your customer's favorite paint.



Paints now available on Quartersawn Oak



DUNES

This semi-translucent, sandy gray specialty finish offers a peek of natural wood grain, lending an organic integrity to the door style. Available on Alder, Cherry, Quartersawn Oak, Rustic Alder and Walnut.





THICKET

This wonderfully versatile, semi-translucent specialty finish answers the call for updated stain options that pair well with paints. Available on Alder, Cherry, Quartersawn Oak, Rustic Alder and Walnut.





COLT

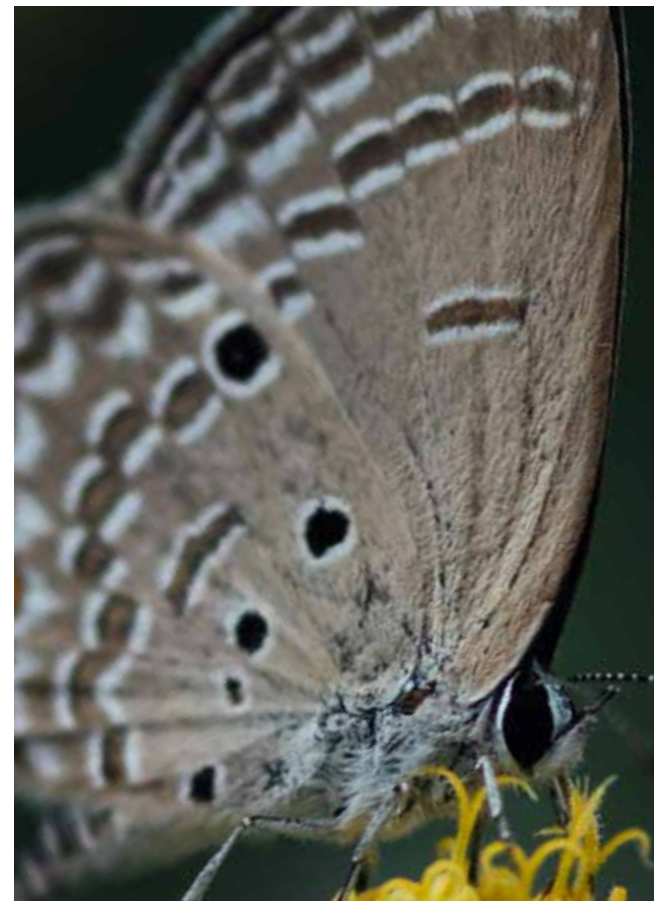
Launched in both the Diamond Distinction and Vibe Series in March 2020, this mid-tone stain is now available in Edge! Available on Alder, Cherry, Maple, Oak, Quartersawn Oak, Rustic Alder, and Walnut.





DRIFTWOOD EXPANSION

With the expansion of our much-loved Driftwood finish, your customers can now enjoy its beauty on Cherry, Alder and Rustic Alder.





Various finish on our new Walnut species offering

WALNUT

Answering the call for designs in need of a richer, more complex grain pattern, Walnut is now available in all Edge door styles, specialty finishes, stains and panned glazes on stains. Exceptions include Black Canyon, Worn Black, Beachglass, and Worn Beachglass. Painted colors will not be available on the Walnut wood species.

TRYSTAN MDF DOORS

Looking for a painted finish on a slab style, but concerned about product performance and cost? Trystan is now available in MDF in full overlay, inset and beaded inset options, providing a smoother finish for painting and better resistance to warping, expansion and contraction.

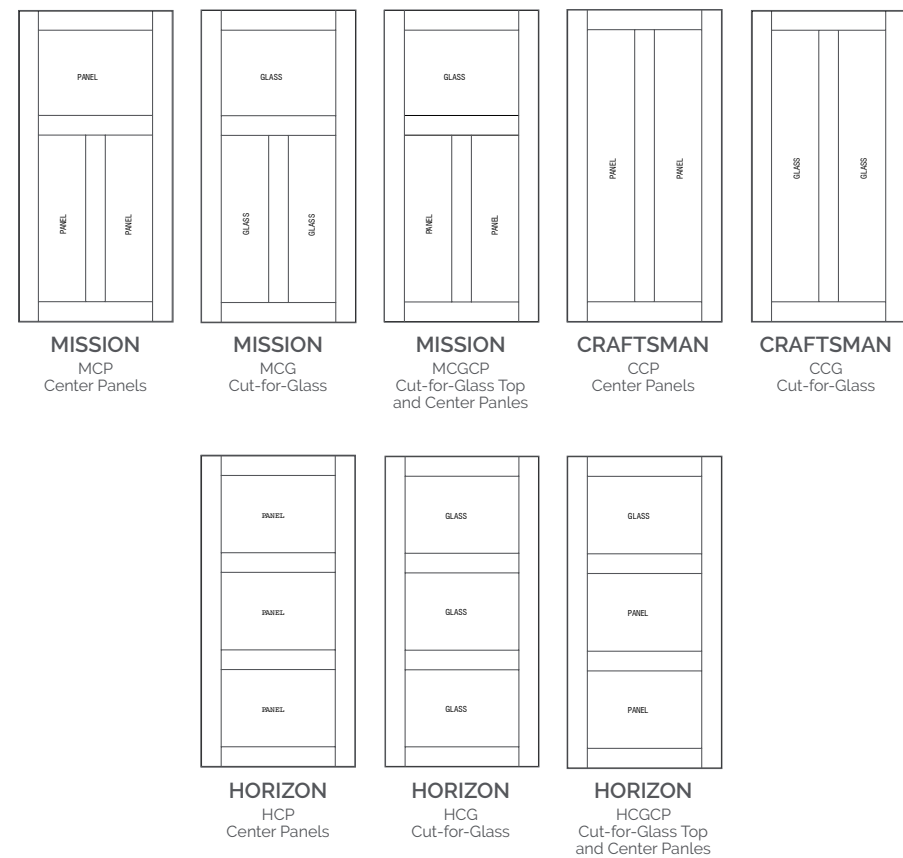
With the popularity of slab doors on the rise, Trystan Inset and Beaded Inset styles will satisfy trend-forward customers in search of a streamlined aesthetic.



Trystan MDF

SPECIALTY DOOR EXPANSION

As you're seeking simple ways to make your customer's kitchen a unique expression of personal style, consider adding one of the newly expanded specialty transom doors to the design. Now available as part of the Caldera, Montgomery, Sumner and Wells door styles, three options provide various combinations of solid and glass panels, as shown below.



BROOKS Maple Juniper Berry Paint (Horizon door option existing for Brooks)

INSET DOOR EXPANSION

Our Inset and Beaded Inset door style options are increasing with the addition of Montgomery and Trystan - two of our top selling styles!



MONTGOMERY
Inset*
A C M Q R W



MONTGOMERY
Beaded Inset*
A C M Q R W



TRYSTAN
Inset
D



TRYSTAN
Beaded Inset
D

- A ALDER
- C CHERRY
- M MAPLE
- Q QUARTERSAWN OAK
- R RUSTIC ALDER
- W WALNUT
- D MDF

*Additional drawer front options available.





SECURED DRAWER MODIFICATION

Our innovative secured drawer modification upgrades a standard drawer with an installed self-locking mechanism featuring proven Master Lock™ advanced sensor biometric technology. This technology sees past contaminants and imperfections to assure fast, accurate scans granting or restricting access with the touch of a finger.

- Available in 18", 21" and 24" wide base cabinets measuring 24" deep
- No keys or codes required
- Manual back-up access available
- Stores up to 100 fingerprints



WOOD HOODS

The demand for wood hoods is at an all time high. With this in mind, we're introducing several new options your customers are sure to love.

A. WOOD HOOD SIMPLE TAPERED

(WHSMTxx)

Available in widths of 30", 36", 42", and 48"

B. WOOD HOOD SIMPLE TAPERED WITH CORBELS

(WHSMTCBxx)

Available in widths of 36", 42", and 48"

C. WOOD HOOD SIMPLE CHIMNEY

(WHSMCxx)

Available for use with widths of 30", 36", 42", and 48"

D. WOOD HOOD ARCH FLAT PANEL

(WHAFPxx)

Available in widths of 30", 36", 42", and 48"

E. WOOD HOOD SQUARE FLAT PANEL

(WHSFPxx)

Available in widths of 30", 36", 42", and 48"

F. WOOD HOOD BATTEN STRAIGHT

(WHSBATTENxxxx)

Available in widths of 30", 36", and 42"

G. WOOD HOOD SQUARE

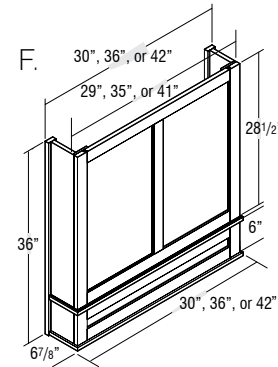
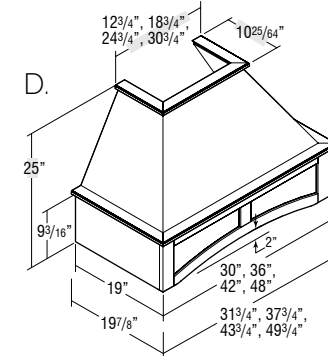
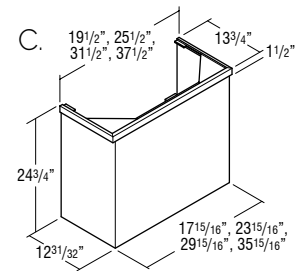
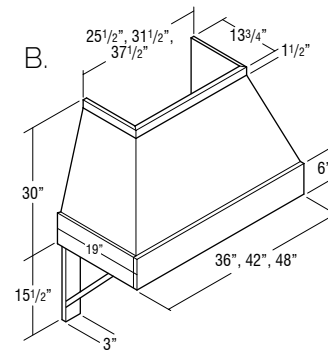
(WHS30)

Adding a 30" wide model.

H. CLASSIC WOOD HOOD CHIMNEY

(WHC30)

Adding a 30" wide model.



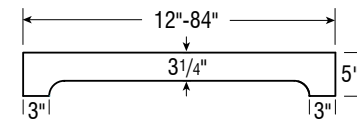
KARIS BEADED INSET Maple Sterling White Paint (Existing Wood Hood)

VALANCES

Valances elevate a simple cabinet design to furniture status. Check out these 7 new designs and put them to use on your next vanity, island, or anywhere you want to achieve a furniture look. Available sold separately, or built as integral rails within a face frame.

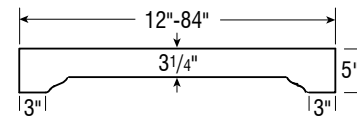
STYLE B VALANCE

(V37B, V43B, V49B, V55B, V61B, V67B, V73B, V79B, V84B)
Available in widths of 12 - 84"



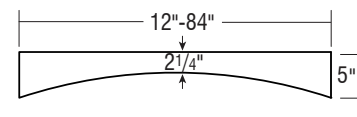
STYLE D VALANCE

(V37D, V43D, V49D, V55D, V61D, V67D, V73D, V79D, V84D)
Available in widths of 12 - 84"



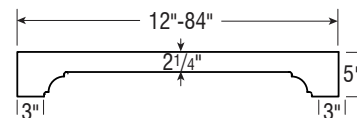
STYLE E VALANCE

(V37E, V43E, V49E, V55E, V61E, V67E, V73E, V79E, V84E)
Available in widths of 12 - 84"



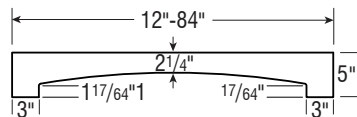
STYLE H VALANCE

(V37H, V43H, V49H, V55H, V61H, V67H, V73H, V79H, V84H)
Available in widths of 12 - 84"



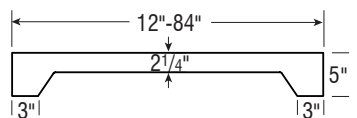
STYLE J VALANCE

(V37J, V43J, V49J, V55J, V61J, V67J, V73J, V79J, V84J)
Available in widths of 12 - 84"



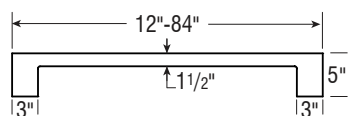
STYLE K VALANCE

(V37K, V43K, V49K, V55K, V61K, V67K, V73K, V79K, V84K)
Available in widths of 12 - 84"



STYLE L VALANCE

(V37L, V43L, V49L, V55L, V61L, V67L, V73L, V79L, V84L)
Available in widths of 12 - 84"



LANGLEY INSET Maple Maritime Paint (Existing Valance)

SKUS

66" TALL UTILITY MODELS

U_ _6612 (12"-36" wide), U_ _6624 (12"-36" wide), and U_ _6624RT (15"-36" wide).

27" HIGH WALL CORNER CABINETS

WC2427 L or R, WC2727 L or R, WC3027 L or R

INSET GLASS SHELF KITS

Specifically sized for the standard 13" deep Inset cabinets, Edge now offers Inset Glass Shelf Kits, available in the following models: GSK1213, GSK2413, GSK2713, GSK3013, GSK3313, GSK3613, GSK913, GSK1513, GSK1813, GSK2113, GSKDW2413, GSKDW2413P

102" AND 108" TALL CABINETS, FILLERS, AND PANELS EXPANSION

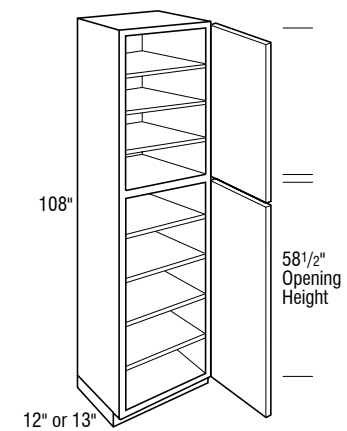
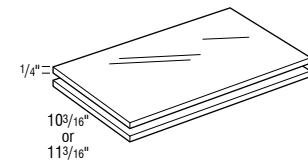
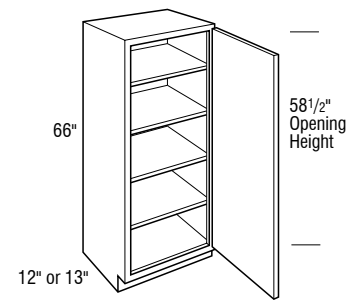
We have expanded our existing offering of 102" and 108" tall cabinets and 102", 108" and 120" fillers and panels to include all species in our offering. In addition, Tall Box Column Fillers T*BCFP are being expanded to include 102", 108" and 120" heights. TEP*WD panels with 1.5" or 3" rails attached will now be available with the Inset Panel End modification (IPE) in 102", 108" and 120" heights.

FULL HEIGHT BASE CORNER FULL WIDTH (BCFW_ _FH L OR R)

Available in 36"-48" widths.

BLIND CORNER CABINET FILLER

One 3" filler will now be shipped unattached with each blind corner cabinet.



PAINTPEN-ADD

One no-charge PAINTPEN comes with each original paint order. PAINTPEN-ADD allows up to two more paint pens to be ordered at an additional cost with the original order only.

CABCLEANKIT

Take the guesswork out of cabinet cleaning with our all-natural, citrus-based cleaner. After thorough testing, we can confidently say it's safe for use on all of our cabinet finishes. Each kit includes a 16 ounce bottle of cleaner and a microfiber cloth for gentle cleaning of all wood and laminate cabinet surfaces.

INSET FINIAL HINGE ACCESSORIES (HIF**2)

For use on Inset and Beaded Inset door styles, our Inset Finial Hinges are now available in pairs as an accessory. HIFAB2, HIFBN2, HIFMB2, HIFORB2

DECORATIVE HARDWARE

Now, one updated hardware collection spans across the Diamond™ enterprise, delivering the latest on-trend styles in today's most sought-after colors and finishes, including gold, chrome and black.

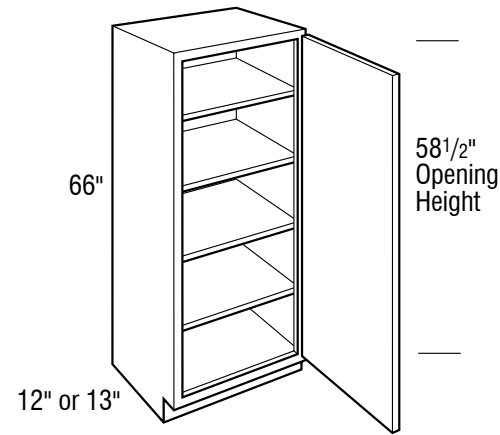
See the complete hardware collection soon at [Diamond.com/products/hardware](https://diamond.com/products/hardware).



MODIFICATIONS

TALL UTILITY CABINET MODEL DOORS UTILIZE A SINGLE CENTER PANEL (SGLPN)

The standard for these 58 1/2" opening height doors will remain two equally sized center panels, divided by a horizontal middle rail. The new modification will result in a door consisting of a single center panel rather than the standard.

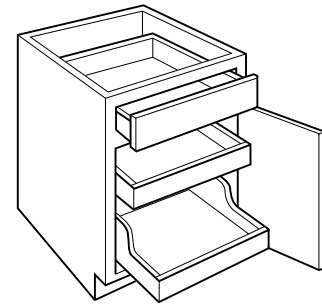


NEWLY COMPATIBLE: WIDE STILE MODIFICATION AND INCREASED WIDTH MODIFICATION

The existing Wide Stile Modification can now be used in conjunction with the existing 1/4" Increased Width Modification.

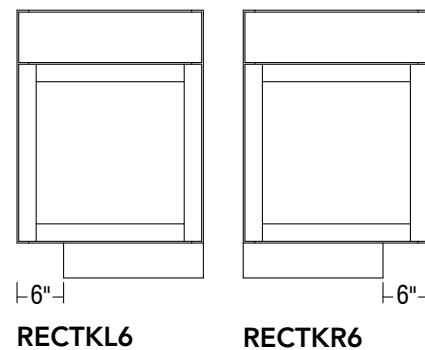
SCOOPED ROLL TRAY UPDATE (SRT)

When specified, this modification will now apply to all roll trays within a cabinet.



6" RECESSED TOEKICK MODIFICATION

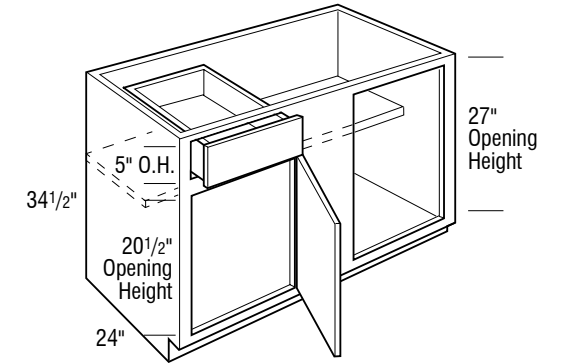
When a toe space calls for more than the standard 4" setback, the following modifications provide 6" of room, which is especially useful when specifying feet on a cabinet. Modifications include: RECTKFRT6, RECTKFRT.BK6, RECTKL6, RECTKR6, RECTKL.R6, RECTKFRT.L6, RECTKFRT.R6, RECTKFRT.L.R6, RECTKBK6, RECTKL.BK6, RECTKR.BK6, RECTKL.R.BK6, RECTKFRT.L.BK6, RECTKFRT.R.BK6, and RECTKALL6



CONSTRUCTION

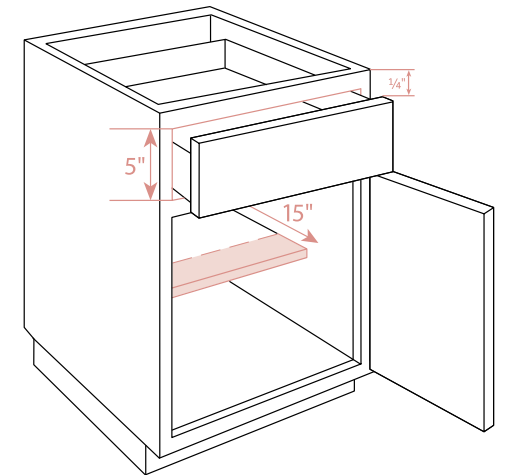
FACE FRAME CONFIGURATION CHANGES ON BASE BLIND CORNER UNITS

Models affected include: BC36, BC39, BC42, BC45, BC48, BCRS45, BCRS48, BC45CPO, BC48CPO, BCFH45CPO, BCFH48CPO, PBC39, PBC42, and PBC48



SHELF DEPTH INCREASE

Our standard base shelf depth is increasing to 15". Base models affected include: Base (Bxx), Base w/ Bread Board (BxxBB), Base w/ Wood Tiered Cutlery Divider (BxxWTCD), B18KCUP, Base w/ Drop-In Range (BxxDR), Base w/ Blind Corner (BCxx), Base w/ Charging Drawer (BxxCHGDRW), and Base w/ Spice Drawer BxxSD). Vanity models affected include: Vanity Base (VBxx32 and VBxx34.5) and Bath Collection Base w/ No Toe Kick (BCBxxNTK). Cabinets less than 21" deep will convert to a full depth shelf.

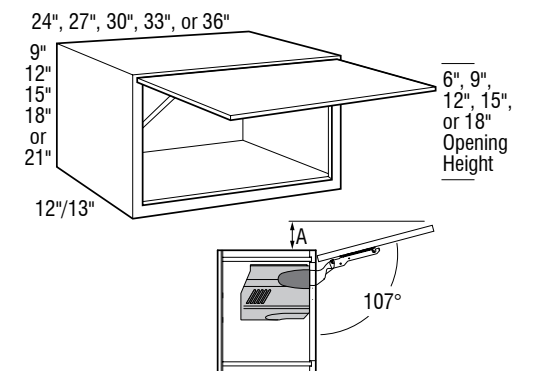


DRAWER OPENING HEIGHT CHANGE

Increasing the standard 4-1/2" drawer opening to 5" offers improved functionality and a more aesthetically pleasing cabinet. Top reveal is changing from 1/2" to 1/4" high.

IMPROVEMENTS AND SIZE EXPANSIONS FOR WALL TOP HINGE UNITS

New 9" and 12" high Wall Top Hinge cabinets provide new options for using space over the refrigerator, while stay open hinges provide 107 degrees of accessibility. WTH2409SL, WTH2709SL, WTH3009SL, WTH3309SL, WTH3609SL, WTH2412SL, WTH2712SL, WTH3012SL, WTH3312SL, and WTH3612SL



NAME CHANGES

- STONE TRAIL changes to JUNIPER BERRY
- SLATE changes to GREY STONE (for all Penned Glazes)
- QUARRY changes to SEAL
- FLAX changes to SAHARA
- SATCHEL changes to TUNDRA
- Dentil moulding from DE8 to MDENTIL8

DISCONTINUATIONS

- Stains: Caribou, Mustang Amaretto Crème, Natural Liqueur, Sandpiper Liqueur, Sun Tea, Sun Tea Amaretto Crème, Sun Tea Toasted Almond
- Paints: Eclypse, Jogging Path, Pure Linen, Soft Glow, Tawny Owl, Urbane Bronze, Waterbury Clay
- Wood Hood Island Arch and Wood Hood Island Straight models
- Estate and Summit Mullion Doors
- IH+DRW modification (due to 5" opening change)
- Base Recycling Center SKU
- Air deviator models
- Tri-View Medicine Cabinet models
- PULLM366, KNOB1432, KNOBRH22, PULLH55, KNOBH46, KNOBH54
- CORBELSCR6
- 36" Outside Corner Moulding
- Fenton and Ballard Glass
- 74 embellishments

